

# VP Minor Mud

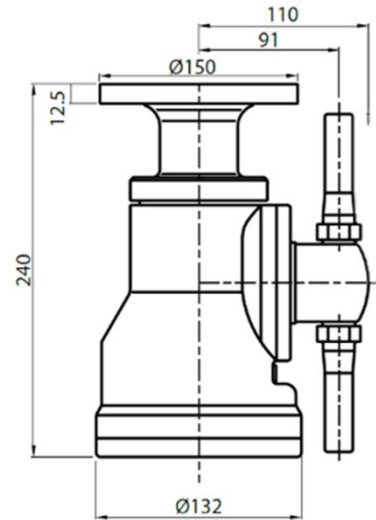
Tank Washing Machine



## Victor Marine

### Description

The VP Minor Mud is a pre-programmed twin nozzle tank washing machine manufactured from 316 stainless steel. This unit is suitable for use on both small and medium crude oil, chemical and product tankers and can be supplied as either fixed or portable. This 'sealed for life' machine has been specifically designed to operate with aggressive and abrasive types of drive media. The 'sealed for life' machines are also the perfect choice when considering the cleaning of mud or slop tanks; this is due to the nature of the sealed gearbox design.



### Key Features

- Wash pattern is of orbital progressive intensity to meet IMO Annex II pre-wash requirement standard
- 'Sealed for life' gearbox to ensure no cargo contamination
- Jet lengths from 9m to 17m
- Wash cycle times as low as 16 minutes
- Nozzle sizes: 2xØ7mm, 2xØ8mm, 2xØ9mm, 2xØ10mm and 2xØ11mm
- Machines capable of operating at a pressure as low as 6 kg/cm<sup>2</sup>
- Automatic 'slip-clutch' to prevent accidental damage in use
- Simple to service with the use of high-performance long-life gears
- Alternative flange (up to 180mm diameter) and fixings available
- Fully Type Approved by Class Societies worldwide

### Technical Information

Wash media	Crude oil or water
Temperature	Up to 95°C - Suitable for hot and cold wash
Material	316 Stainless Steel
Deck Opening	To suit standard Ø318mm
Weight	8.2kg (portable) 10.2kg (fixed)
Connection*	1.5" BSP (portable) 150mm flange (fixed)



\*Other connections available on request



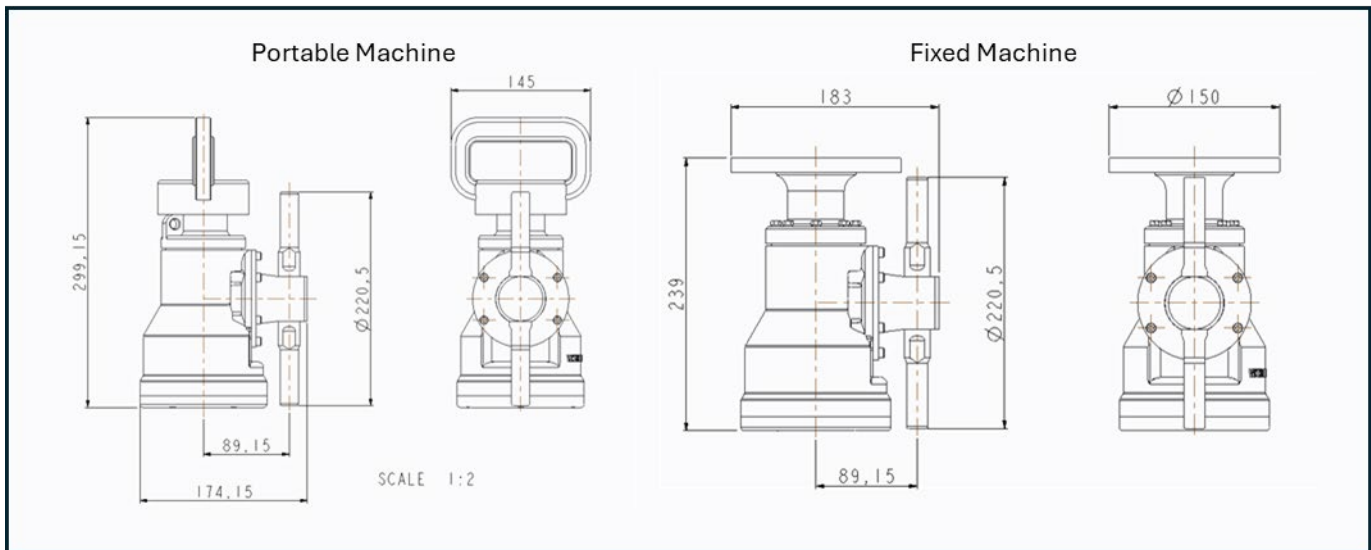
Globally focussed on cleaner solutions

# VP Minor Mud

Tank Washing Machine



# Victor Marine



## PERFORMANCE DATA:

Pressure		2x7mm			2x8mm		
PSI	Kg/cm <sup>2</sup>	Flow m <sup>3</sup> /hr	Jet Length M	Total Cycle Time Mins	Flow m <sup>3</sup> /hr	Jet Length M	Total Cycle Time Mins
85.3	6	7.3	9.1	27	10.0	9.5	26
114	8	8.0	10.5	21	11.3	10.8	20
142	10	8.5	11.0	18.5	12.2	12.0	18
170.6	12	9.2	11.6	18	13.0	12.5	17
Pressure		2x9mm			2x10mm		
PSI	Kg/cm <sup>2</sup>	Flow m <sup>3</sup> /hr	Jet Length M	Total Cycle Time Mins	Flow m <sup>3</sup> /hr	Jet Length M	Total Cycle Time Mins
85.3	6	10.4	10.6	27	13.0	11.6	26
114	8	11.6	11.3	23	14.2	13.0	22
142	10	12.6	12.5	19	16.0	14.8	20
170.6	12	13.73	13.0	16	17.6	15.5	18
Pressure		2x11mm					
PSI	Kg/cm <sup>2</sup>	Flow m <sup>3</sup> /hr	Jet Length M	Total Cycle Time Mins			
85.3	6	15	14.0	24			
114	8	16.2	15.0	20			
142	10	17.7	16.0	18			
170.6	12	19.3	17.0	17			

Victor Marine Limited, Unit 7, Waterloo Court, Markham Vale, Chesterfield, S44 5HN

T: +44 1708 899780

F: +44 1708 890599

W: [www.victormarine.com](http://www.victormarine.com)

E: [sales@victormarine.com](mailto:sales@victormarine.com)