

# VP Minor

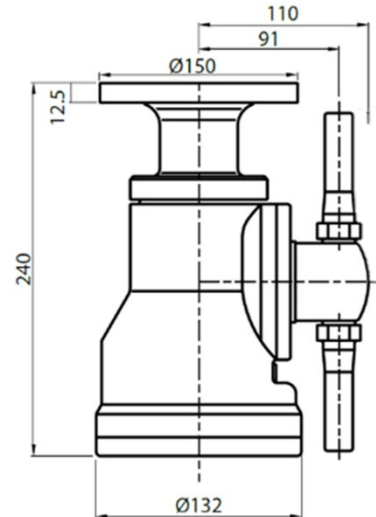
Tank Washing Machine



## Victor Marine

### Description

The VP Minor tank washing machine is available in either portable or fixed installations and is for use in crude oil, product and chemical tankers. It provides progressively intense tank washing on numerous types of vessels.



### Key Features

- Wash pattern is of orbital progressive intensity to meet IMO Annex II pre-wash requirement standard
- Jet lengths from 9m to 17m
- Wash cycle times as low as 16 minutes
- Nozzle sizes: 2xØ7mm, 2xØ8mm, 2xØ9mm, 2xØ10mm and 2xØ11mm
- Machines capable of operating at a pressure as low as 6 kg/cm<sup>2</sup>
- Automatic 'slip-clutch' to prevent accidental damage in use
- Simple to service with the use of high-performance long-life gears
- Alternative flange (up to 180mm diameter) and fixings available
- Fully Type Approved by Class Societies worldwide

### Technical Information

Wash media	Crude oil or water
Temperature	Up to 95°C - Suitable for hot and cold wash
Material	316 Stainless Steel
Deck Opening	To suit standard Ø318mm
Weight	8.2kg (portable) 10.2kg (fixed)
Connection*	1.5" BSP (portable) 150mm flange (fixed)



\*Other connections available on request



Globally focussed on cleaner solutions

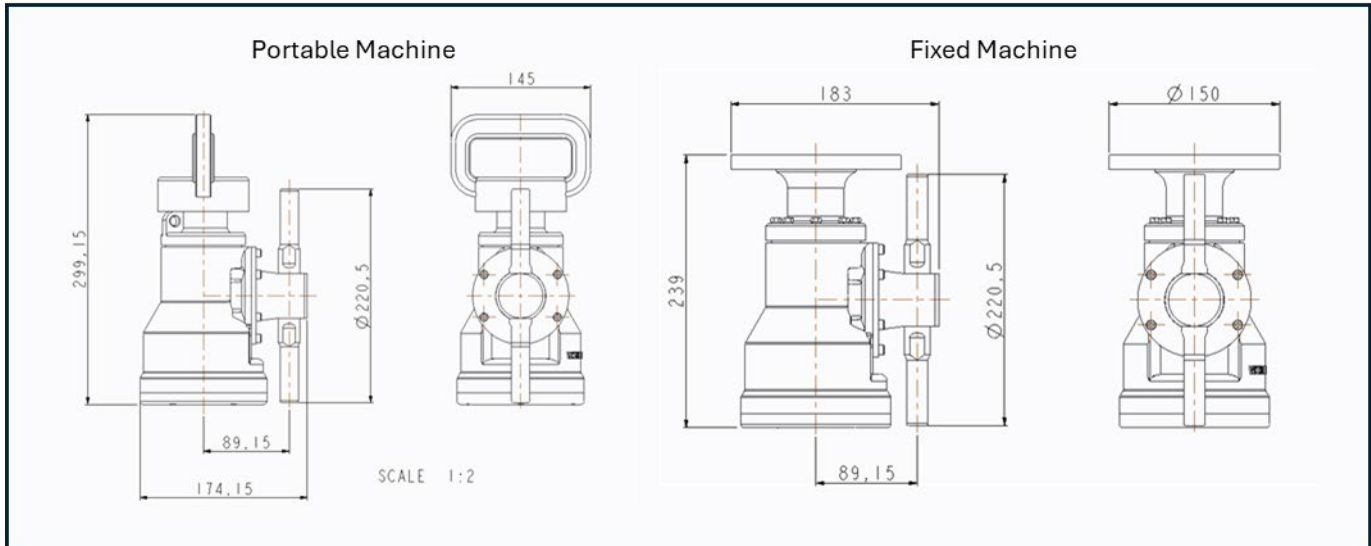
# VP Minor

Tank Washing Machine



# Victor Marine

## PRODUCT DIMENSIONS:



## PERFORMANCE DATA:

Pressure		2x7mm			2x8mm		
PSI	Kg/cm <sup>2</sup>	Flow m <sup>3</sup> /hr	Jet Length M	Total Cycle Time Mins	Flow m <sup>3</sup> /hr	Jet Length M	Total Cycle Time Mins
85.3	6	7.3	9.1	27	10.0	9.5	26
114	8	8.0	10.5	21	11.3	10.8	20
142	10	8.5	11.0	18.5	12.2	12.0	18
170.6	12	9.2	11.6	18	13.0	12.5	17
Pressure		2x9mm			2x10mm		
PSI	Kg/cm <sup>2</sup>	Flow m <sup>3</sup> /hr	Jet Length M	Total Cycle Time Mins	Flow m <sup>3</sup> /hr	Jet Length M	Total Cycle Time Mins
85.3	6	10.4	10.6	27	13.0	11.6	26
114	8	11.6	11.3	23	14.2	13.0	22
142	10	12.6	12.5	19	16.0	14.8	20
70.6	12	13.73	13.0	16	17.6	15.5	18
Pressure		2x11mm					
PSI	Kg/cm <sup>2</sup>	Flow m <sup>3</sup> /hr	Jet Length M	Total Cycle Time Mins			
85.3	6	15	14.0	24			
114	8	16.2	15.0	20			
142	10	17.7	16.0	18			
170.6	12	19.3	17.0	17			

Victor Marine Limited, Unit 7, Waterloo Court, Markham Vale, Chesterfield, S44 5HN

T: +44 1708 899780

F: +44 1708 890599

W: [www.victormarine.com](http://www.victormarine.com)

E: [sales@victormarine.com](mailto:sales@victormarine.com)