

# VP 1400

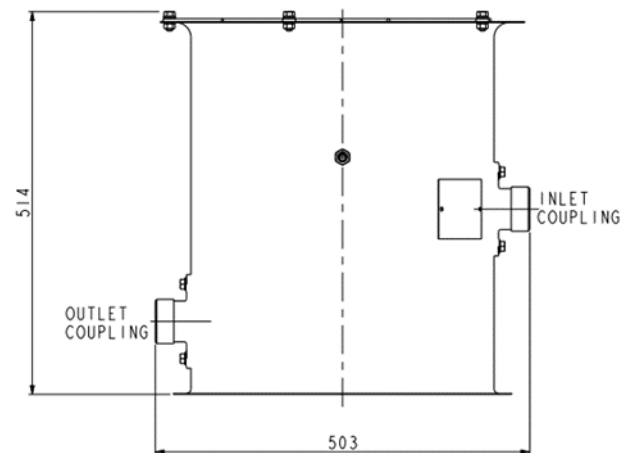
Water Driven  
Gas Freeing Fan



## Victor Marine

### Description

The VP1400 is a high performance, deep penetration, water driven fan, constructed using high grade 316 stainless steel. This non-sparking fan is suitable for use on all types of vessels (oil, product, chemical). The VP1400 is specially designed for low pressure systems and large deck openings whilst still maintaining the high static and flow rate for fast and efficient gas freeing.



### Key Features

- Designed and Class Approved for use in hazardous areas
- Supply or Extract mode by simple reversal of water supply
- Integral 'Direct In-Line' drive; no gearbox to maintain or fail
- Non-Sparking (ATEX approved)
- Can operate at low pressures
- Can be supplied for horizontal mounting
- High airflow throughput
- High static pressure
- Efficient motors
- Marine grade materials
- Fail-safe bleed tube to indicate seal failure
- Fully Type Approved by Class Societies worldwide

### Technical Information

|                            |   |
|----------------------------|---|
| Drive media                | Water                                   |
| Max height                 | 514mm                                   |
| Max width                  | 490mm                                   |
| Weight                     | 25kg                                    |
| Water Connection           | Multiple options available              |
| Max Air Flow               | 14,000m <sup>3</sup> /hr                |
| Max Static Pressure        | 1500Pa                                  |
| Max Water Flow Requirement | 48.0m <sup>3</sup> /hr                  |
| Operating Pressures        | 1.0 – 7.0 kg/cm <sup>2</sup><br>Optimum |
| Deck Opening               | To suit standard<br>Ø400mm              |



Globally focussed on cleaner solutions

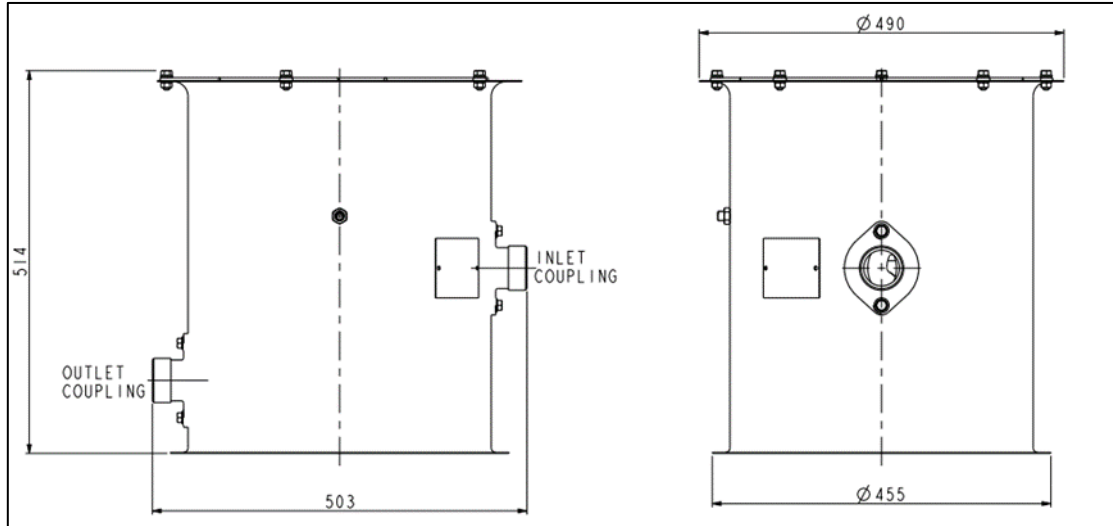
# VP 1400

Water Driven  
Gas Freeing Fan

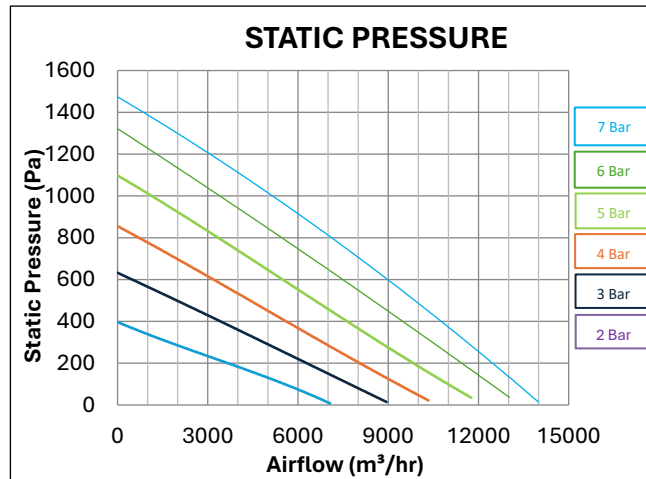
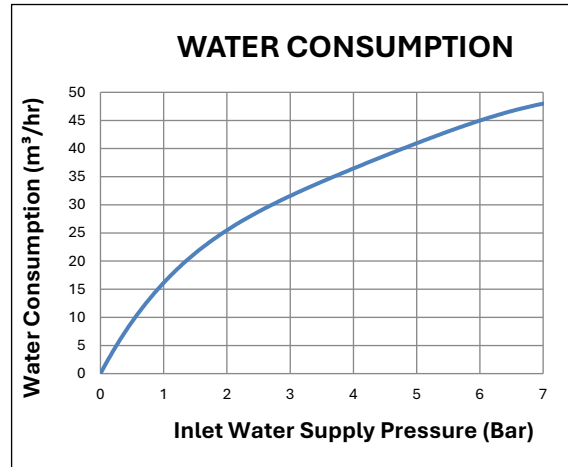
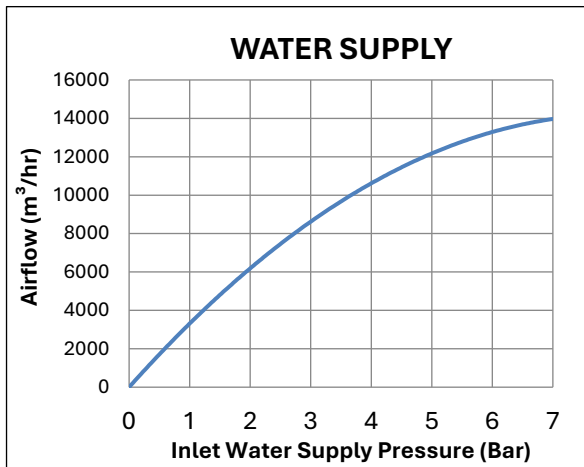


Victor Marine

## PRODUCT DIMENSIONS:



## PERFORMANCE GRAPHS:



Victor Marine Limited, Unit 7, Waterloo Court, Markham Vale, Chesterfield, S44 5HN

T: +44 1708 899780

F: +44 1708 890599

W: [www.victormarine.com](http://www.victormarine.com)

E: [sales@victormarine.com](mailto:sales@victormarine.com)