

VP 700

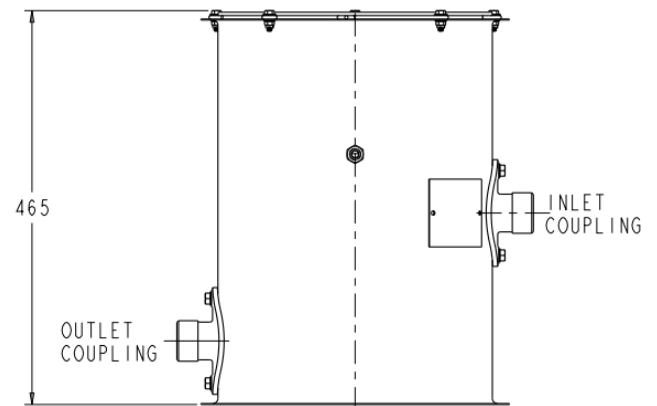
Water Driven
Gas Freeing Fan



Victor Marine

Description

The VP700 is a lightweight, portable, deep penetration, water driven fan, constructed using high grade 316 stainless steel. This non-sparking fan is suitable for use on small and medium tonnage oil, product or chemical tankers with restricted deck space and limited pumping capacities. It can also be used for ventilation in confined spaces.



Key Features

- Designed and Class Approved for use in hazardous areas
- Supply or Extract mode by simple reversal of water supply
- Integral 'Direct In-Line' drive; no gearbox to maintain or fail
- Non-Sparking (ATEX approved)
- Can operate at low pressures
- Can be supplied for horizontal mounting
- High airflow throughput
- High static pressure
- Efficient motors
- Marine grade materials
- Fail-safe bleed tube to indicate seal failure
- Fully Type Approved by Class Societies worldwide

Technical Information

Drive media	Water
Max height	468mm
Max width	422mm
Weight	19kg
Water Connection	Multiple options available
Max Air Flow	7000m ³ /hr
Max Static Pressure	970Pa
Max Water Flow Requirement	15.0m ³ /hr
Operating Pressures	2.0 – 12.0 kg/cm ²
Deck Opening	To suit standard Ø318mm



Globally focussed on cleaner solutions

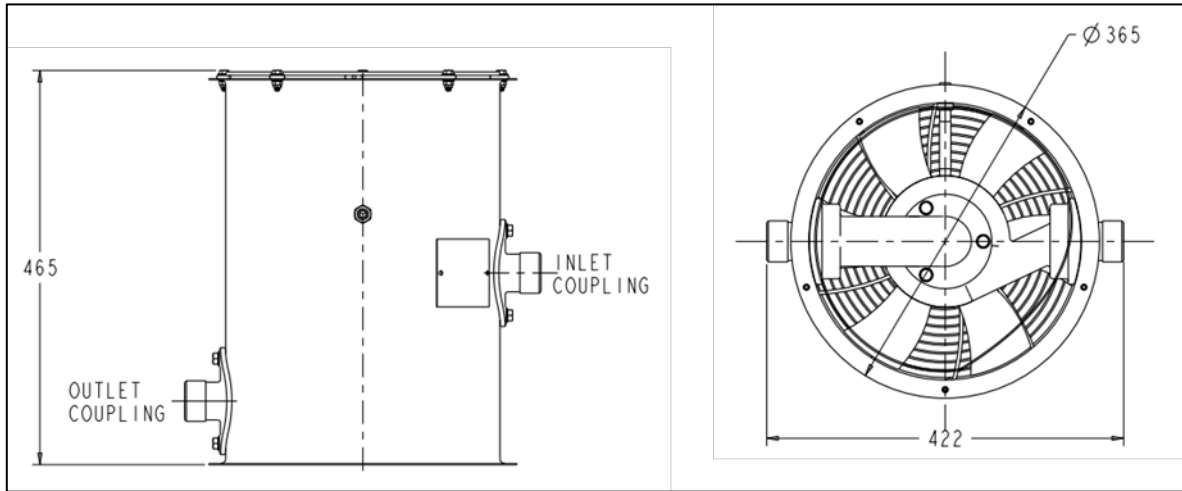
VP 700

Water Driven
Gas Freeing Fan

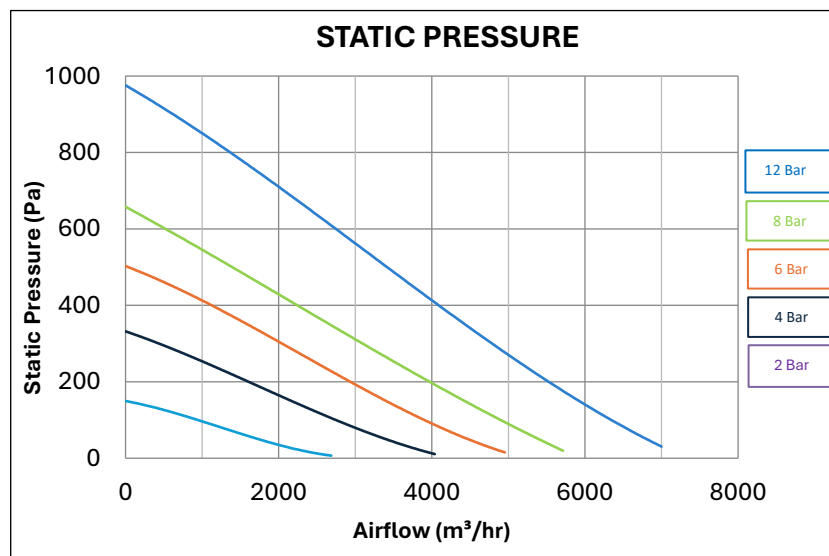
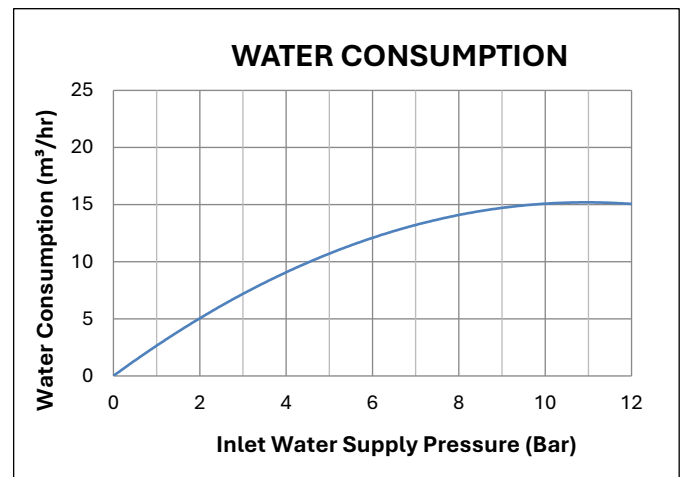
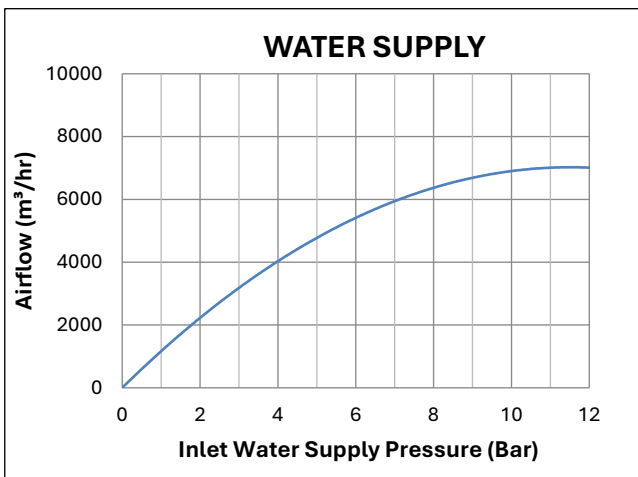


Victor Marine

PRODUCT DIMENSIONS:



PERFORMANCE GRAPHS:



Victor Marine Limited, Unit 7, Waterloo Court, Markham Vale, Chesterfield, S44 5HN

T: +44 1708 899780

F: +44 1708 890599

W: www.victormarine.com

E: sales@victormarine.com