

VP Major

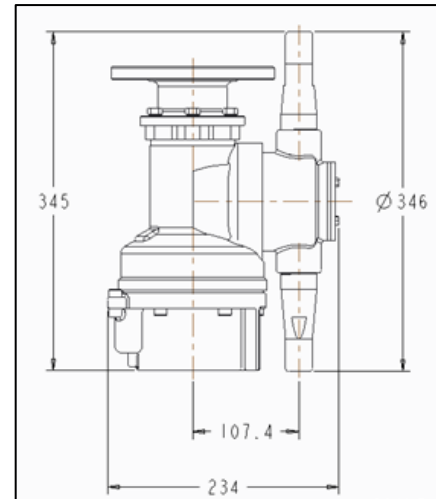
Tank Washing Machine



Victor Marine

Description

The VP Major tank washing machine is available in either portable or fixed installations and is for use in crude oil, product and chemical tankers. It provides progressively intense tank washing on numerous types of vessels.



Key Features

- Wash pattern is of orbital progressive intensity to meet IMO Annex II pre-wash requirement standard
- Jet lengths from 19m to 26m
- Wash cycle times as low as 34 minutes
- Nozzle sizes: 2xØ12mm, 2xØ14mm, 2xØ16mm and 2xØ18mm
- Machines capable of operating at a pressure as low as 8 kg/cm²
- Automatic 'slip-clutch' to prevent accidental damage in use
- Simple to service with the use of high-performance long-life gears
- Alternative flange (up to 180mm diameter) and fixings available
- Fully Type Approved by Class Societies worldwide

Technical Information

Wash media	Crude oil or water
Temperature	Up to 95°C - Suitable for hot and cold wash
Material	316 Stainless Steel
Deck Opening	To suit standard Ø318mm
Weight	19.5kg (portable) 21kg (fixed)
Connection*	2.5" NH/NST MALE (portable) 165mm flange (fixed)



*Other connections available on request



Globally focussed on cleaner solutions

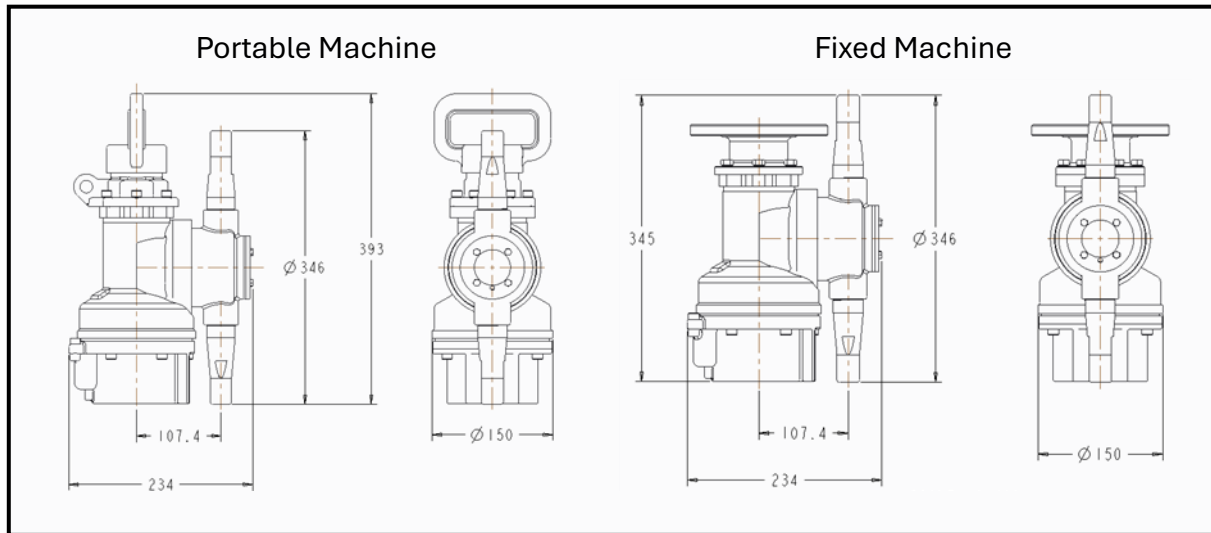
VP Major

Tank Washing Machine



Victor Marine

PRODUCT DIMENSIONS:



PERFORMANCE DATA:

Pressure		2x12mm			2x14mm		
PSI	Kg/cm ²	Flow m ³ /hr	Jet Length M	Total Cycle Time Mins	Flow m ³ /hr	Jet Length M	Total Cycle Time Mins
114	8	32	19	39	42	20	43
142	10	35	20.5	36	45	23	39
170.6	12	40	21.5	34	51	24	37
Pressure		2x16mm			2x18mm (fixed machine only)		
PSI	Kg/cm ²	Flow m ³ /hr	Jet Length M	Total Cycle Time Mins	Flow m ³ /hr	Jet Length M	Total Cycle Time Mins
114	8	50	22	42	57	23	49
142	10	55	24	39	64	25	46
170.6	12	61	25	37	70	26	44